

<p>Bureau of Labor Standards / OSHA – References:</p> <ul style="list-style-type: none"> • OSHA 29 CFR 1910.151 • American National Standards Institute 	<p>Emergency Shower / Eyewash - Where the eyes or body of any person may be exposed to injurious corrosive materials, suitable facilities for quick drenching or flushing of the eyes and body shall be provided within the work area for immediate emergency use. The installation and operation of emergency eyewash and shower equipment, including the requirements for flow rate. Section 4.1 of ANSI Z358.</p>
<p>Emergency Shower / Eyewash Details:</p>	<ul style="list-style-type: none"> • Specifies that emergency shower heads shall be capable of delivering a minimum of 75.7 liters per minute (20 gpm) of flushing fluid at a velocity low enough to be non-injurious to the user. • A sufficient volume of flushing fluid shall be available to supply the flow rate for a minimum fifteen-minute period. • May be plumbed or self-contained. • Must have tepid water (60-100° f) • Must be within 10 seconds of the hazard
<p>Sample Locations:</p>	<ul style="list-style-type: none"> • Chemistry Labs • Automotive Shops • Battery Charging Areas • Kitchen Dish Room • Art Rooms
<p>Inspector: Position of Inspector _____ _____</p>	<p>The person inspecting the shower and/or eyewash should know. CTE’s will need to designate the employee who will conduct the inspection.</p> <ul style="list-style-type: none"> • Hazards requiring shower and/or eyewash • Location of each facility • Types of showers, eyewashes used. • Proper procedures for inspecting.
<p>Frequency of Inspections:</p>	<p>Annually Each emergency shower and eyewash monthly. <i>These MDOE SCHEMAS may exceed OSHA/BLS requirements.</i></p>
<p>Resources</p>	<p>OSHA - https://www.osha.gov/Publications/OSHA3818.pdf OSHA - https://www.osha.gov/pls/oshaweb/owadisp.show_document?p_t=able=DIRECTIVES&p_id=1793 Grainger - https://www.grainger.com/content/qt-emergency-shower-eye-wash-stn-req-120</p>
<p>Inspection:</p>	<p style="text-align: center;"><u>See Attached Form</u></p>

Emergency Shower / Eyewash Inspection

Weekly Checklist

Initial and date in the corresponding box verifying that the emergency eyewash / shower is checked weekly to ensure:

- Equipment installed within 10 seconds from the hazard and on the same plane as the hazard
- Pathway is clear of obstructions
- Plumbed equipment activated to ensure compliant operation and to clear any sediment
- Self-contained equipment checked to determine if the flushing fluid needs to be changed or supplemented
- Equipment free of broken or missing parts
- Equipment protected against freezing
- User protected from scalding water (Tepid Water)

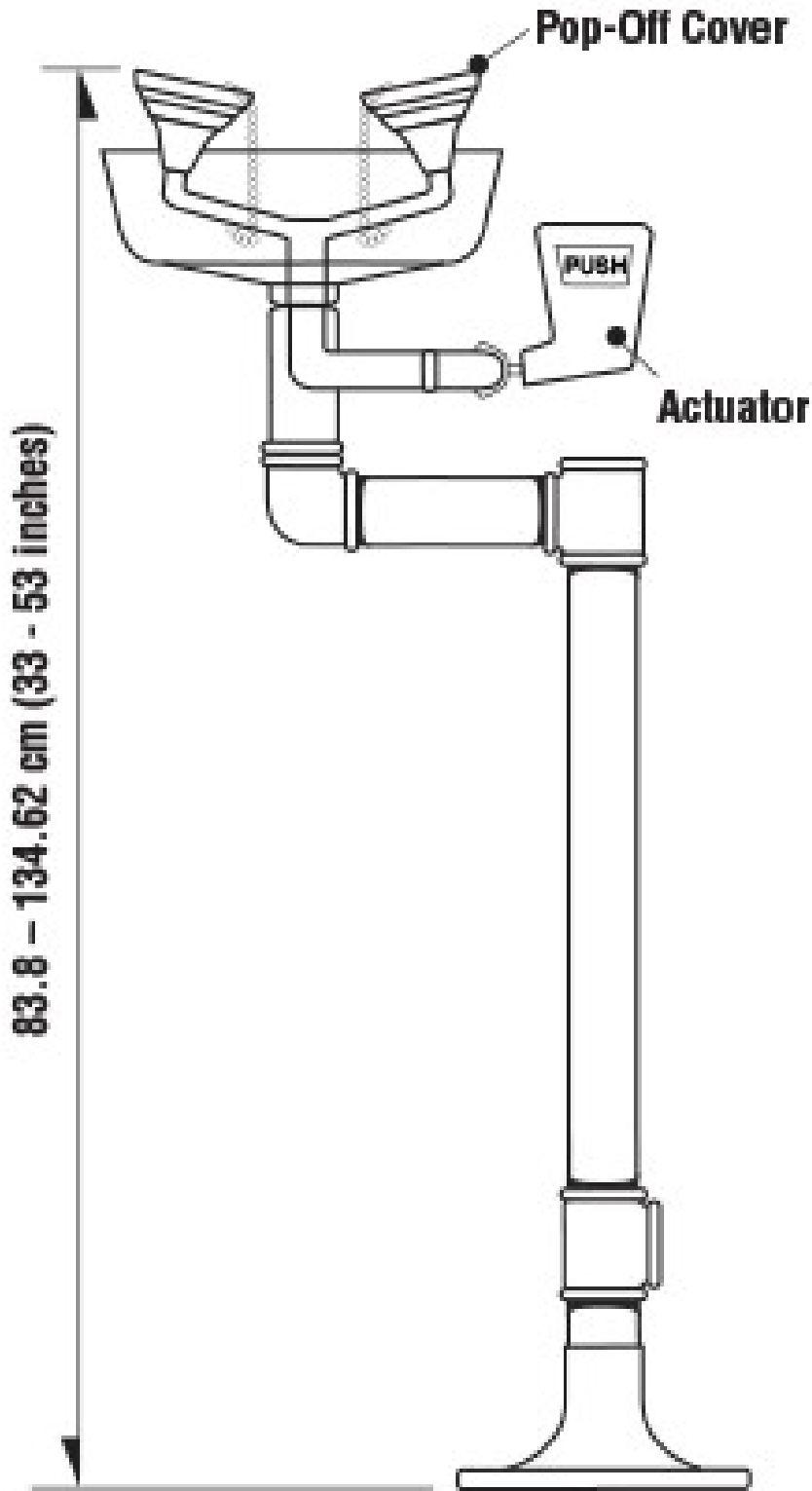
Year ____	Week 1	Week 2	Week 3	Week 4	Week 5
January					
February					
March					
April					
May					
June					
July					
August					
September					
October					
November					
December					

Summary

Always inspect and test emergency eyewashes and showers if you have any doubt about their dependability. Identify problems or concerns and establish a regular maintenance program. A tag system, similar to the fire extinguisher tag, should be used to document the inspection. If there are any deficiencies, they should be reported to maintenance for repair as soon as possible.

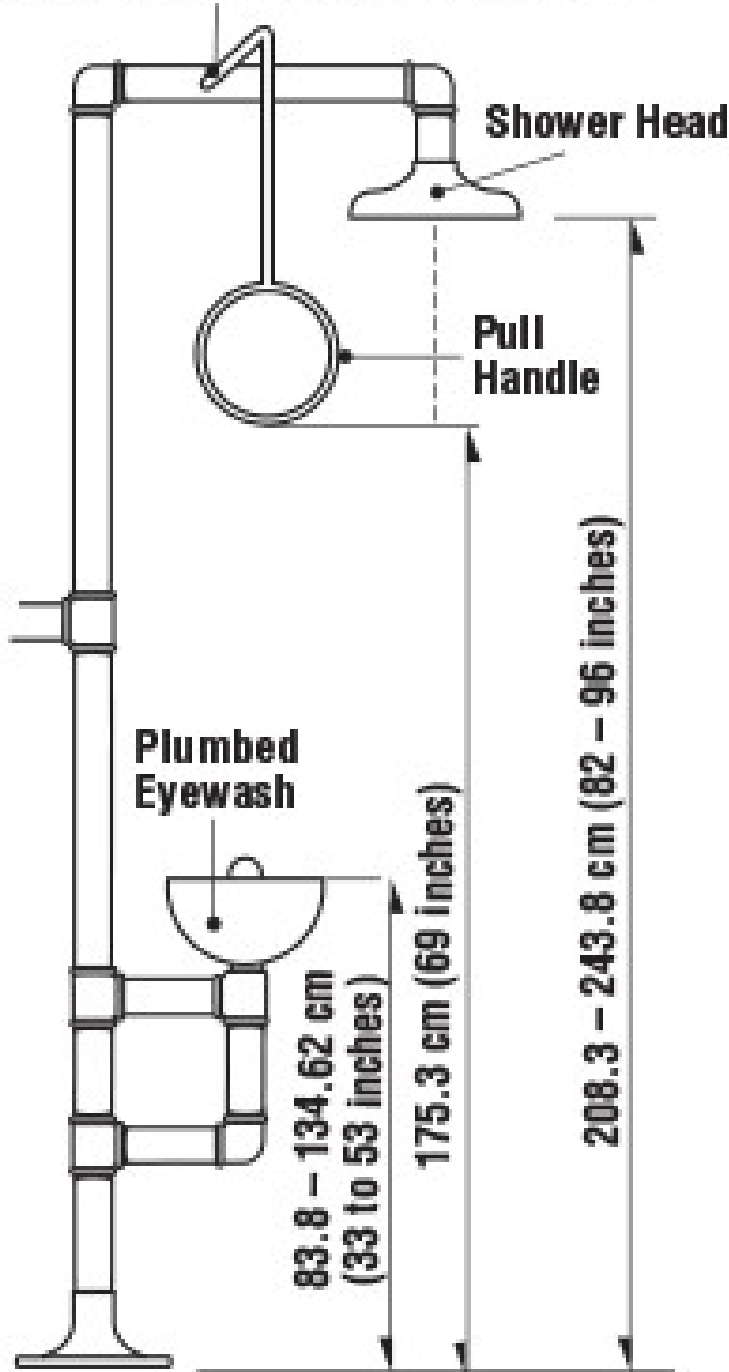
Once completed, documentation should be sent to the CTE Director or his/her designee.

If no other eyewash is in the area, a portable eyewash should be placed in the area. If an emergency shower, it should be tagged out of service and operations requiring the shower should stop until repaired.

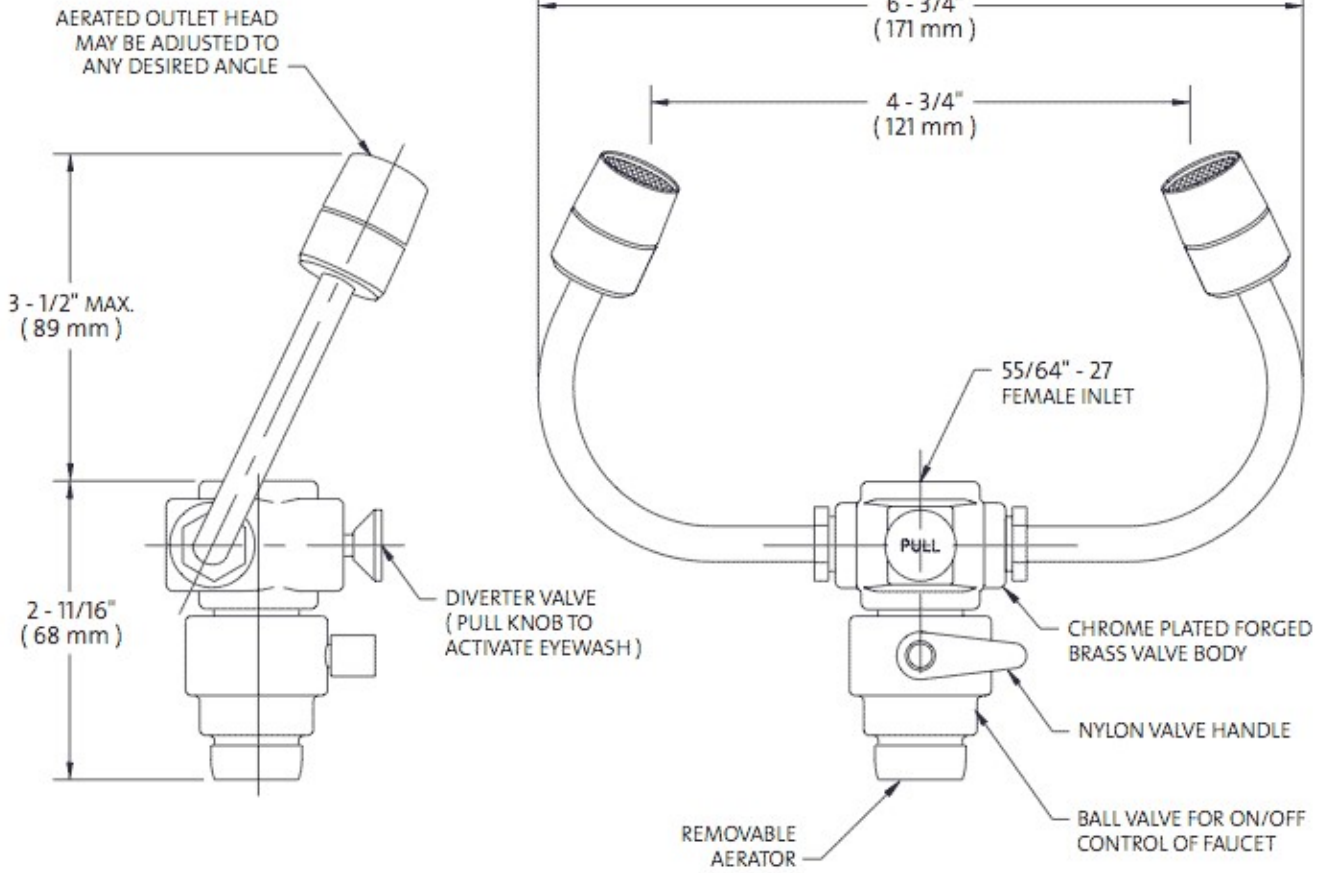


Plumbed Eyewash

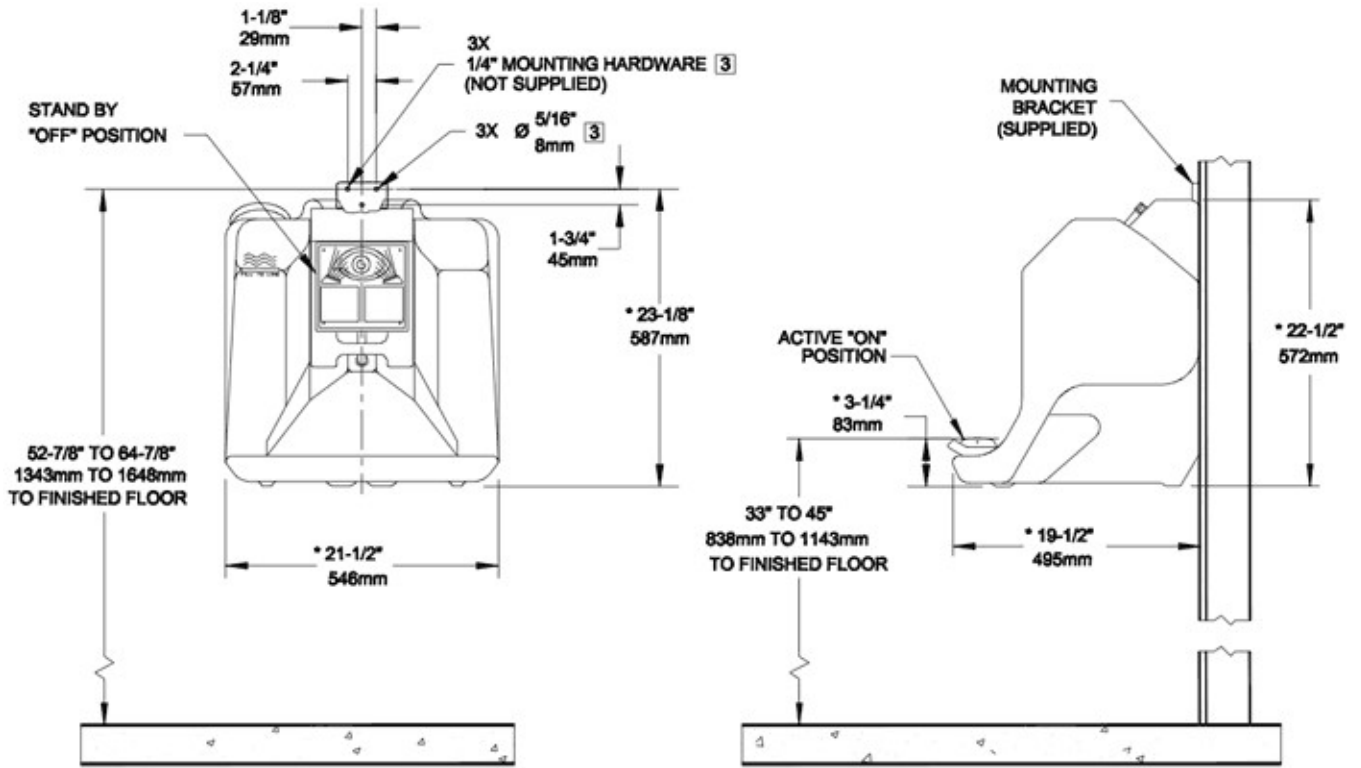
Stay-Open Valve and Actuator Ring



Plumbed Shower/Eyewash Combination



Diverter Eyewash



Portable Eyewash – Solution must be changed according to manufacturer recommendations.